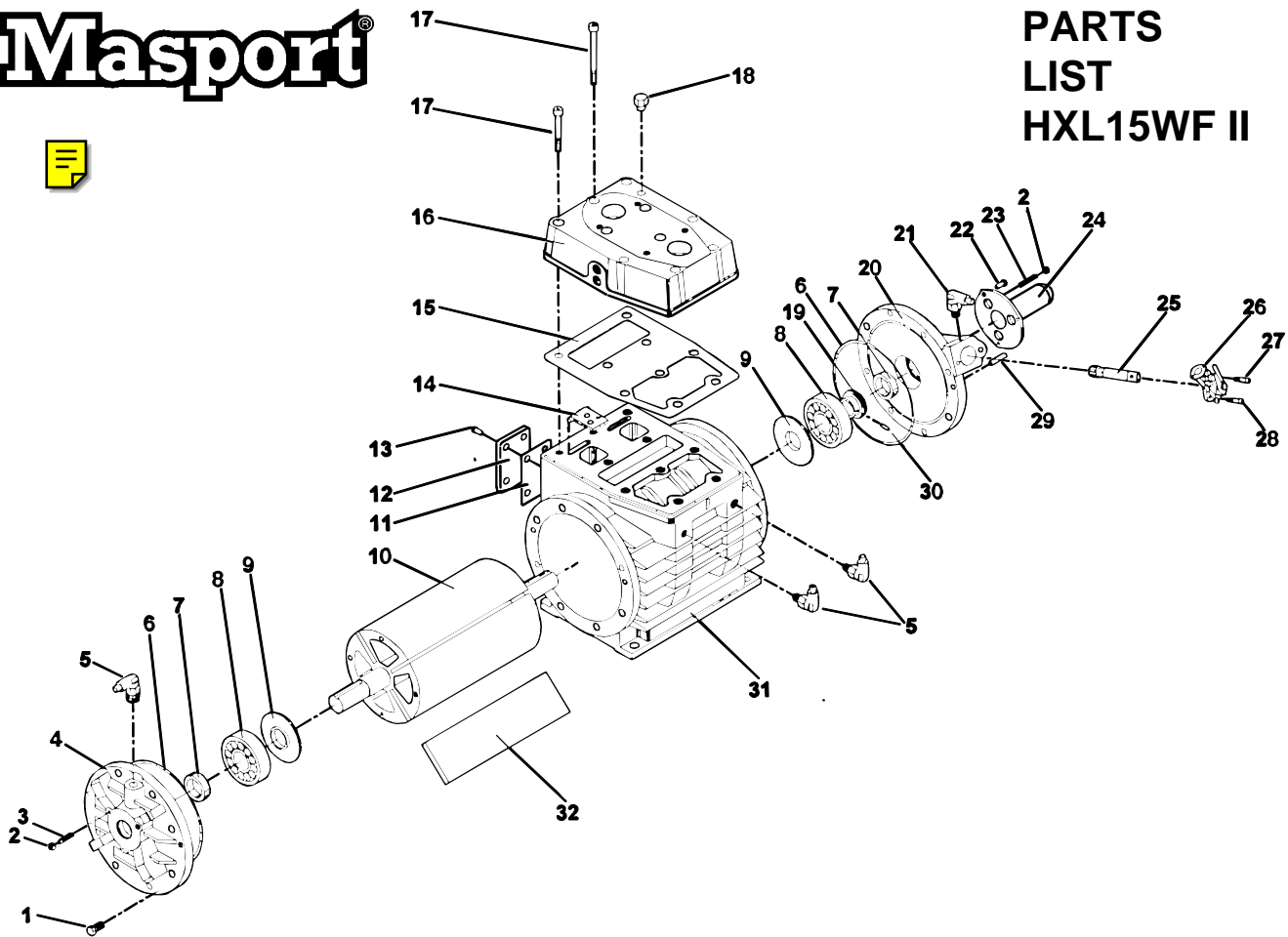


Masport®



PARTS LIST HXL15WF II



MASPORT

HXL15WF SERIES II LIQUID COOLED PRESSURE / VACUUM PUMP PARTS LIST

Ref	Description	Part No.	Qty.	Ref	Description	Part No.	Qty.
1	Bolt	501569	16	21	Endcover	968853	1
2	Nut	504278	6	22	Check Valve	975019	1
3	Screw	504276	3	23	Bolt	501571	3
4	Endcover	968843	1	24	Screw	504277	3
5	Check Valve	975018	3	25	Shaft Guard	968608	1
6	O-Ring	501673	2	26	Gear	568033	1
7	Oil Seal	501674	2	27	Sleeve	568031	1
8	Bearing	503098	2	28	Shaft	568032	1
9	Bearing Spacer	968611	2	29	Clip	503089	1
10	Rotor Assembly (Includes 8, 9)	975329	1	30	Oil Pump	575437	1
11	Gasket	568232	1	31	Bolt	504261	1
12	Side Plate	968231	1	32	Bolt	504262	1
13	Bolt	501597	4	33	O-Ring	504265	1
14	Flap Assembly	968026	2	34	Pin	504263	1
15	Gasket	568805	1	35	Dowel Pin	503258	4
16	Manifold, Threaded	968802-1	1	36	Cylinder	968801	1
17	Bolt	501965	10	37	Vane	968811	4
18	Bolt	502061	1	38	Endcover Shim Gasket *		
19	Plug	503416	1		.002" Thickness	542011	**
20	Gear	575439	1		.003" Thickness	542012	**
				39	Oil Line (ft.) *	600293	**

* NOT SHOWN.

** QUANTITY VARIES.