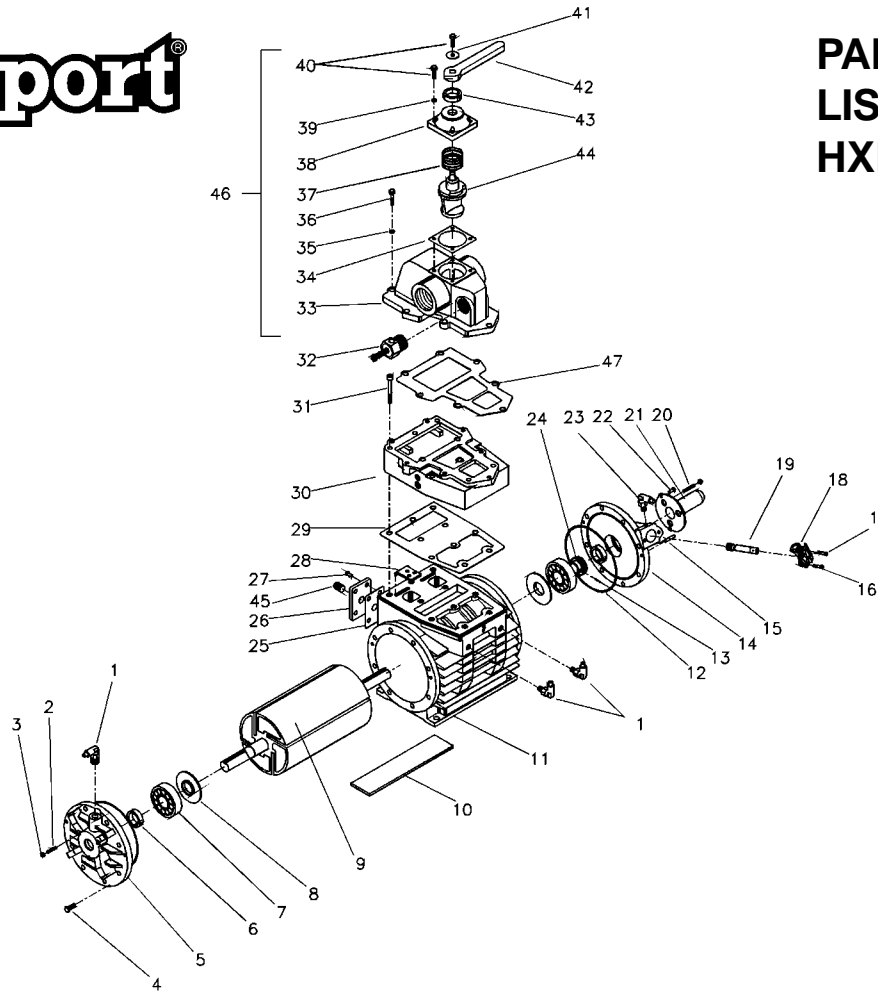




# PARTS LIST HXL20WV II



## HXL20WV II LIQUID COOLED PRESSURE / VACUUM PUMP PARTS LIST (968875)

Ref.	Description	Part No.	Qty.	Ref.	Description	Part No.	Qty.
1.	Elbow Swiv	568086	3	28.	Flap Assembly	968026	2
2.	Screw	504276	3	29.	Gasket	568805	1
3.	Nut	504278	6	30.	Manifold	968846	1
4.	Screw Set	501569	16	31.	Cap Screw	501965	10
5.	Endcover	968843	1	32.	Vacuum Relief Valve	568185	1
6.	Seal	501015	2	33.	Body Valve	968883	1
7.	Bearing	503098	2	34.	Gasket Cap	568044	1
8.	Spacer	968611	2	35.	Washer	500203	7
9.	Rotor Assembly	968753	1	36.	Screw Set	501666	7
10.	Vane	968838	4	37.	Spring Valve	568038	1
11.	Cylinder	968834	1	38.	Valve Cap	968035	1
12.	O Ring	501677	2	39.	Washer	501610	3
13.	Screw	504264	1	40.	Screw Set	501617	5
14.	Endcover	968854	1	41.	Washer	501550	1
15.	Dowel Pin	503258	4	42.	Handle	968037	1
16.	Cap Screw	504261	1	43.	Seal	501674	1
17.	Cap Screw	504262	1	44.	Spool Valve	968804	1
18.	Oil Pump	575437	1	45.	Plug 1/2"	147621	1
19.	Drive Shaft Assembly	968045	1	46.	Integral Valve	968887	1
20.	Screw	504277	3	47.	Gasket	568884	1
21.	Guard	568622	1	*	Gasket Cover .002" Pink	542011	-
22.	Screw Set	501571	3	*	Gasket Cover .003" Green	542012	-
23.	Elbow Swivel	568085	1	*	Oil Line Tube	600293	-
24.	Worm Gear	568158	1				
25.	Gasket	568232	1				
26.	Side Plate	968231	1				
27.	Screw	501597	4				

\*NOT SHOWN