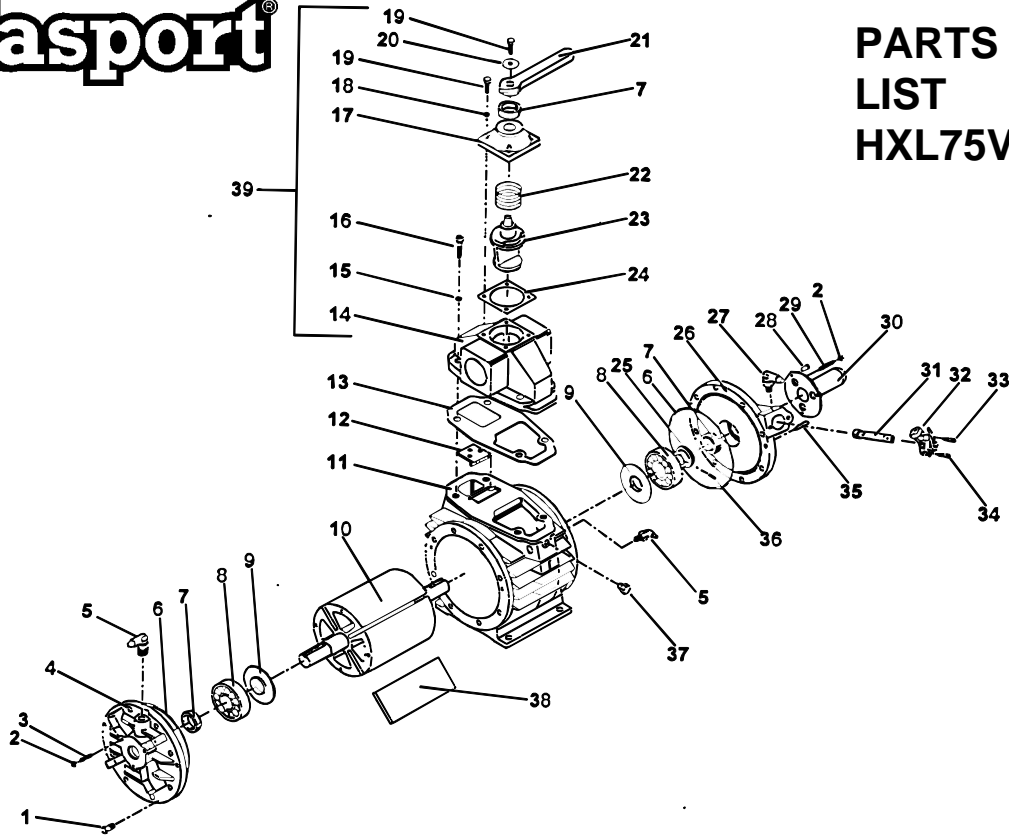


Masport®



PARTS LIST HXL75V II

HXL75V SERIES II AIR COOLED PRESSURE / VACUUM PUMP PARTS LIST (968675)

Ref	Description	Part No.	Qty.	Ref	Description	Part No.	Qty.
1	Bolt	501569	16	24	Gasket	568044	1
2	Nut	504278	6	25	Gear 2-Start	575439	1
3	Set Screw	504276	3		6-start	568158	1
4	Endcover	968843	1	26	Endcover 2-Start	968853	1
5	Swivel Elbow *	568086	3		6-Start	968854	1
6	O-Ring	501677	2	27	Swivel Elbow *	568085	1
7	Oil Seal	501015	3	28	Bolt	501571	3
8	Bearing	503098	2	29	Set Screw	504277	3
9	Bearing Spacer	968611	2	30	Shaft Guard	568622	1
10	Rotor Assembly (Incl. 8, 9)			31	Drive Shaft Assembly	968045	1
	2-Start (Serial # < 91062)	968668	1	32	Oil Pump	575437	1
	6-Start (Serial # > 91061)	968614	1	33	Cap Screw	504262	1
11	Cylinder	968401	1	34	Cap Screw	504261	1
12	Flap Assembly	968026	1	35	Dowel Pin	503258	4
13	Gasket	568610	1	36	Set Screw	504264	1
14	Valve Body	968010	1	37	Plug	503416	1
15	Washer	500203	4	38	Vane	975402	4
16	Bolt	501666	4	39	Integral Valve Assembly	968003	1
17	Cap	968035	1		(Incl. 7, 14, 17, 18, 19,		
18	Washer	501610	4		20, 21, 22, 23, 24)		
19	Bolt	501617	5	40	Endcover Shim Gasket **		
20	Washer	501550	1		.002" Thickness	542011	***
21	Handle	968037	1		.003" Thickness	542012	***
22	Spring	568038	1	41	Oil Line (ft.) **	600293	***
23	Spool	968094	1				

* NOTE: #5-975018 and #27-975019 CHECK VALVES USED ON EARLIER MODELS ONLY.

** NOT SHOWN. *** QUANTITY VARIES.