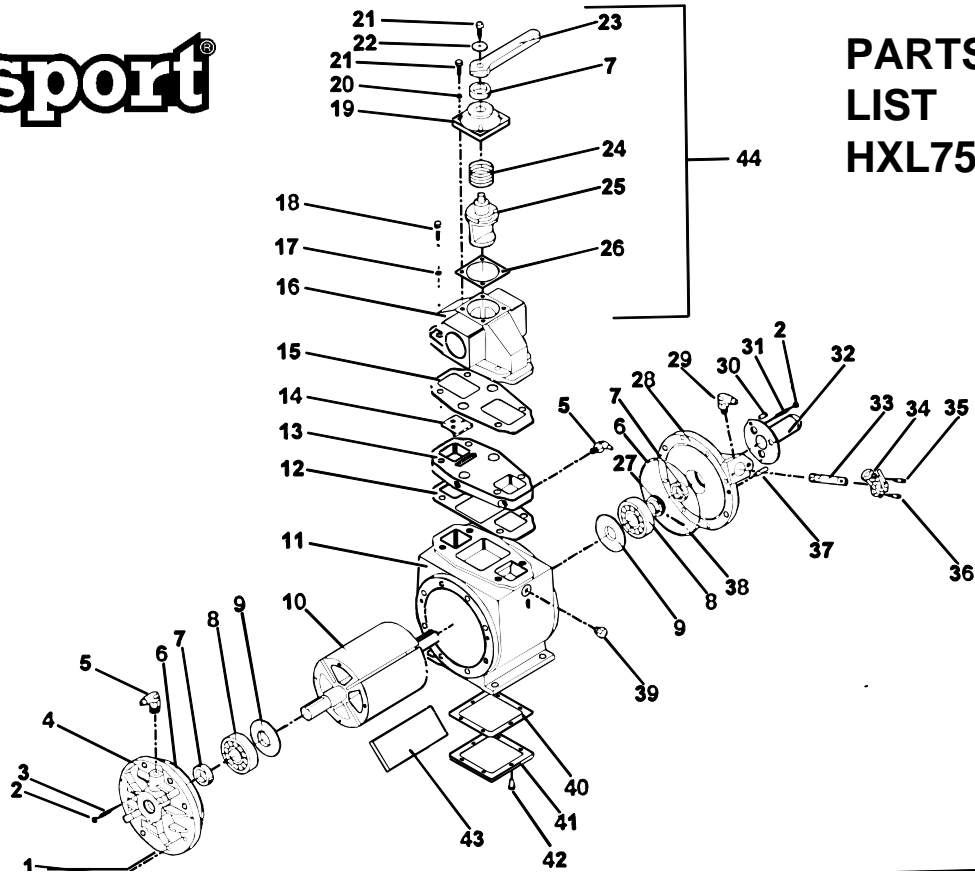


# Masport®



## PARTS LIST HXL75WV II

### HXL75WV SERIES II LIQUID COOLED PRESSURE / VACUUM PUMP PARTS LIST (968670)

Ref	Description	Part No.	Qty.	Ref	Description	Part No.	Qty.
1	Bolt	501569	16	26	Gasket	568044	1
2	Nut	504278	6	27	Gear 2-start	575439	1
3	Set Screw	504276	3		6-Start	568158	1
4	Endcover	968843	1	28	Endcover 2-start	968853	1
5	Swivel Elbow *	568086	3		6-start	968854	1
6	O-Ring	501677	2	29	Swivel Elbow *	568085	1
7	Oil Seal	501015	3	30	Bolt	501571	3
8	Bearing	503098	2	31	Set Screw	504277	3
9	Bearing Spacer	968611	2	32	Shaft Guard	568622	1
10	Rotor Assembly (Incl. 8, 9)			33	Drive Shaft Assembly	968045	1
	2-Start (Serial # < 91451)	968668	1	34	Oil Pump	575437	1
	6-Start (Serial # > 91450)	968614	1	35	Cap Screw	504262	1
11	Cylinder	968712	1	36	Cap Screw	504261	1
12	Gasket	568703	1	37	Dowel Pin	503258	4
13	Adaptor Plate	968011	1	38	Set Screw	504264	1
14	Flap Assembly	968026	1	39	Plug	503416	1
15	Gasket	568653	1	40	Gasket	568708	1
16	Valve Body	968010	1	41	Inspection Plate	968707	1
17	Washer	500203	4	42	Bolt (Inspection Plate)	501571	6
18	Bolt	502024	4	43	Vane	975402	4
19	Cap	968035	1	44	Integral Valve Assembly	968003	1
20	Washer	501610	4		(Incl. 7, 16, 19, 20, 21,		
21	Bolt	501617	5		22, 23, 24, 25, 26)		
22	Washer	501550	1	45	Endcover Shim Gasket **		
23	Handle	968037	1		.002" Thickness	542011	***
24	Spring	568038	1		.003" Thickness	542012	***
25	Spool	968094	1	46	Oil Line (ft.) **	600293	***

\* NOTE: #5 and #29 CHECK VALVES USED ON EARLIER MODELS ONLY. \*\* NOT SHOWN. \*\*\* QUANTITY VARIES.