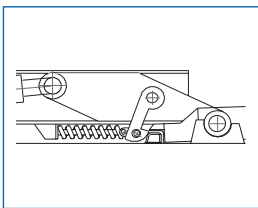


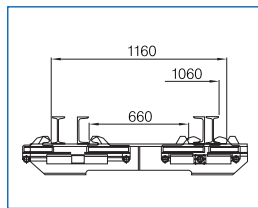
# ITKD 20 Model SLIDING ARM AND ARTICULATED JIB



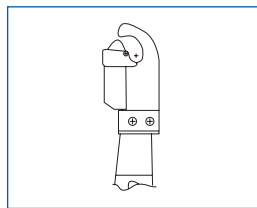
## Key Features



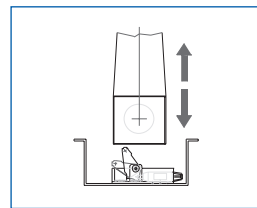
Auto centre body lock.



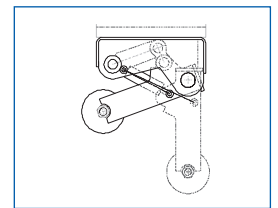
Multi rail – width locks.



Standard with pneumatic hook safety latch.



Automatic interlock system.



Various optional stabilisers.

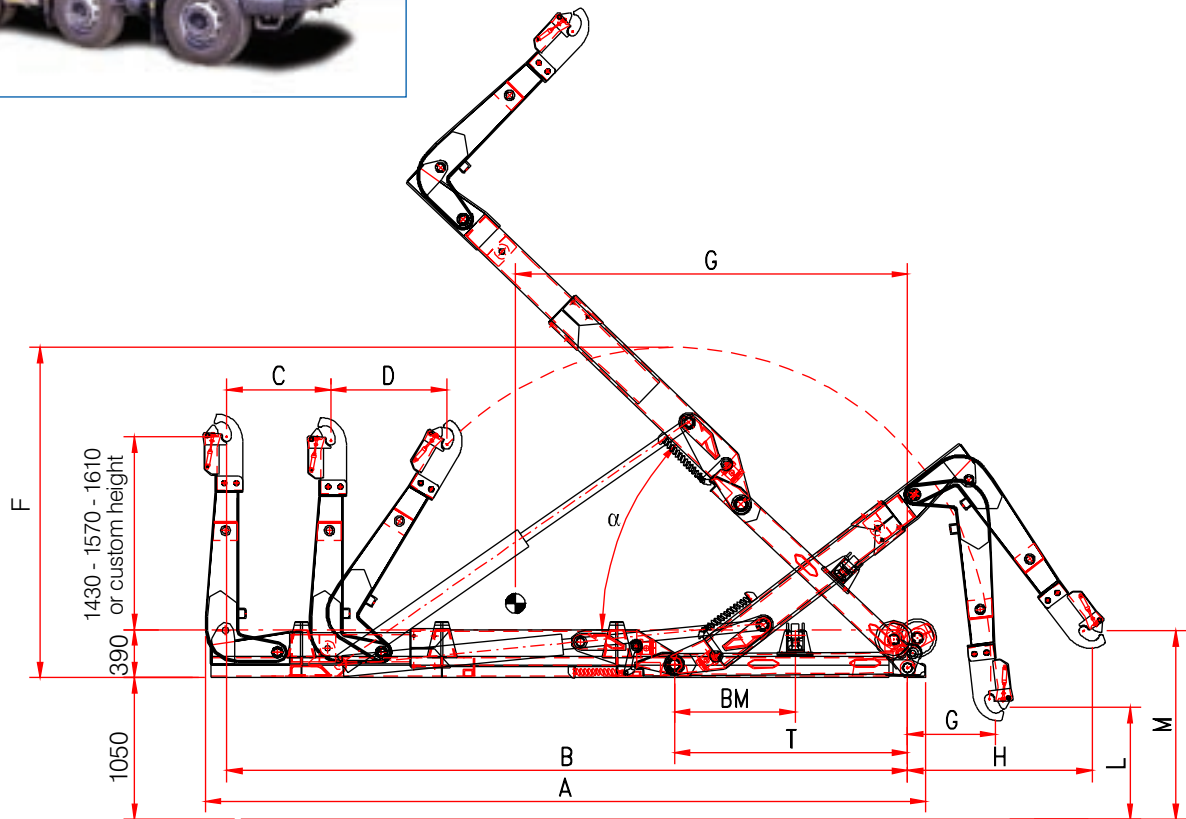
## Standard Features

- Articulating and sliding jib
- Internal/external multirail locks
- Automatic centre body lock
- Standard pneumatic hook safety lock
- Automatic bin clamp lockout when tipped
- Bolted hook

## Optional Extras

- Additional hydraulic circuit with cab control
- Suspension stabiliser
- Folding stabiliser
- Vertical stabiliser

# ITKD 20 Model SLIDING ARM AND ARTICULATED JIB



## Models and Specifications

	A	B	C	D	F	G	H	I	BM	M	T	L
ITKD 20/6	5.890	5.550	850	850	2.690	3.200	1.320	645	980	1.430	1.900	800

### THE VACLIFT COMMITMENT

- Quality product
- Outstanding value
- Professional service
- World class design and construction

Phone 03 9339 9999  
 Fax 03 9338 9540  
 Email [info@icaust.com](mailto:info@icaust.com)

39 Tullamarine Park Rd,  
 Tullamarine, Victoria 3043  
 website: [www.icaust.com](http://www.icaust.com)

Vaclift provides the information contained herein in good faith, based upon the right to change specifications without notice. However, Vaclift accepts no liability, either direct or indirect for any loss or consequential loss that may result from the application of this information. Purchasers must conduct their own enquiries to ensure that the products are suitable for their own particular purposes. Photographs may show equipment that is available at extra cost. Vaclift Pty Ltd. ABN 45 004 743 748 Printed 10/07 VAC 014