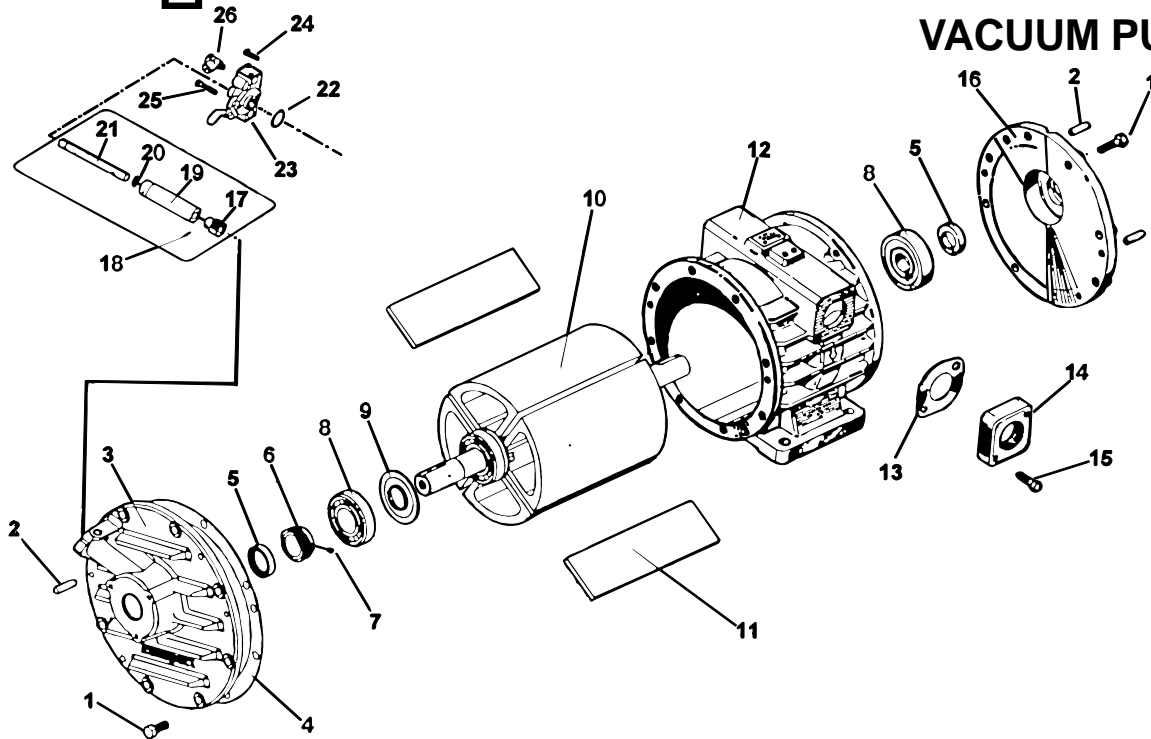




PARTS LIST MXL - SERIES VACUUM PUMP



MXL SERIES VACUUM PUMP PARTS LIST

REF.	DESCRIPTION	MXL3	MXL5	MXL7.5	Qty.
1.	Endcover Bolt	501569	501569	501569	12
2.	Dowel pin	575111	503258	503258	4
3.	Endcover Oil Pump Side	975357	975352	975352	1
4.	Endcover Gasket (.002" Pink)	—	542009	542009	2
5.	Oil Seal	501573	501579	501579	1
6.	Worm Gear	568071	568069	568069	1
7.	Grub Screw	504264	504264	504264	1
8.	Bearing	501574	500082	500082	2
9.	Bearing Spacer	575131	975309	975309	2
10.	Rotor Assembly (includes 8, 9)	975254	975354	975144	1
11.	Vane	975205	975306	975402	4
12.	Cylinder	975201	975303	975401	1
13.	Gasket	575107	568009	568009	1
14.	Intake Flange	975139	975140	975140	1
15.	Flange Bolt	501878	501584	501584	2
16.	Endcover	975003	975337	975337	1
17.	Pinion Gear	568003	568033	568033	1
18.	Tension Pin	504263	504263	504263	1
19.	Shaft Sleeve	515353	515353	515353	1
20.	Clip	503089	503089	503089	1
21.	Pinion Gear Shaft	568032	568032	568032	1
22.	O-Ring	504265	504265	504265	1
23.	Oil Pump	575366	575366	575366	1
24.	Cap Screw	504262	504262	504262	1
25.	Cap Screw	504261	504261	504261	1
26.	Banjo Fitting	504260	504260	504260	2'
27.	Oil Line (4mm O.D.)*	600293	600293	600293	2'
28.	Oil Line (8mm O.D.)*	600295	600295	600295	4'
29.	Oil Fitting (Oil Pump Endcover)*	568088	568088	568088	1*
30.	Oil Fitting (Standard Endcover)*	568089	568089	568089	1*
31.	Oil Fitting (On Oil Reservoir)*	504269	504269	504269	1*

* Not Shown